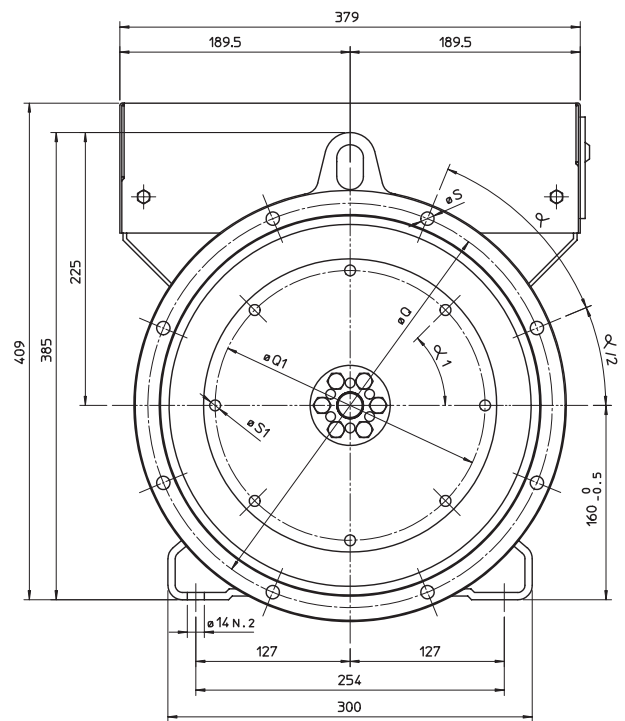
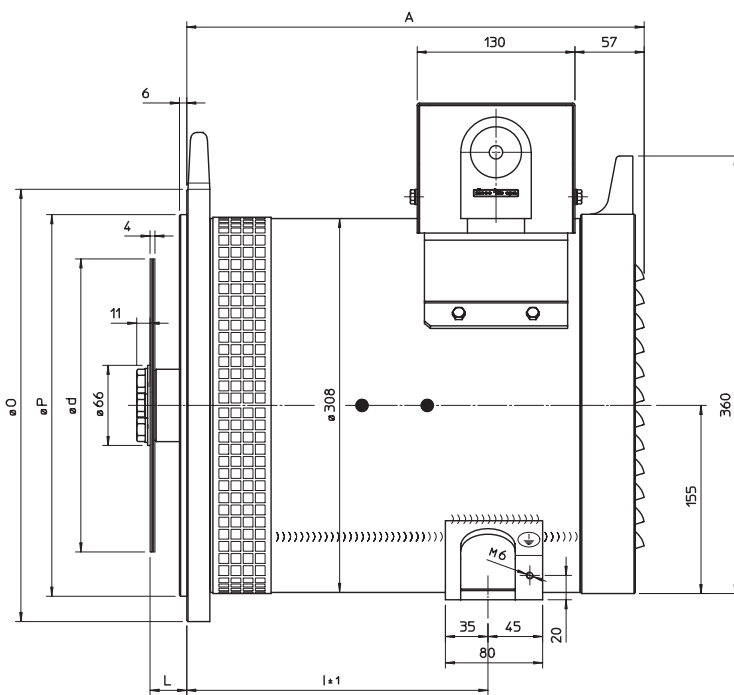
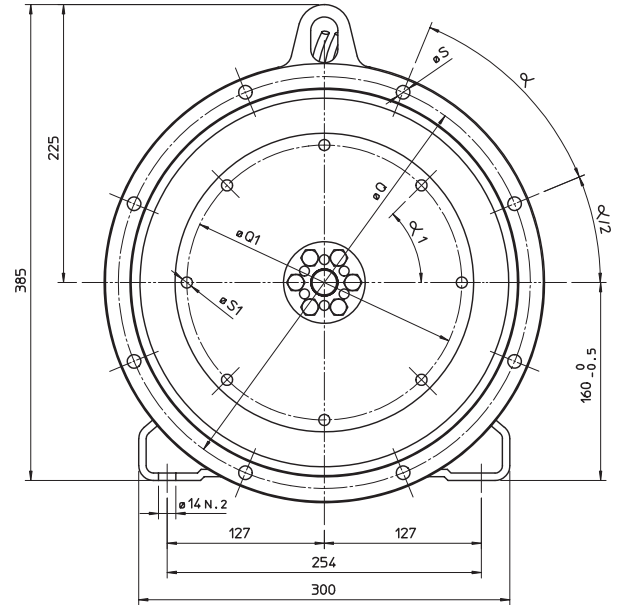
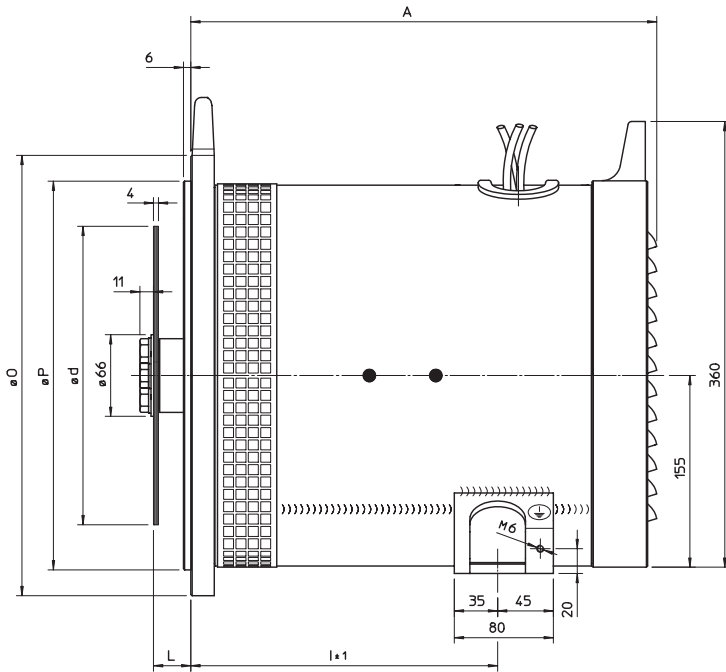


**DIMENSIONI D'INGOMBRO / OVERALL DIMENSIONS / ENCOMBREMENT / BAUMASSE / DIMENSIONES MAXIMAS**

dimensions in mm



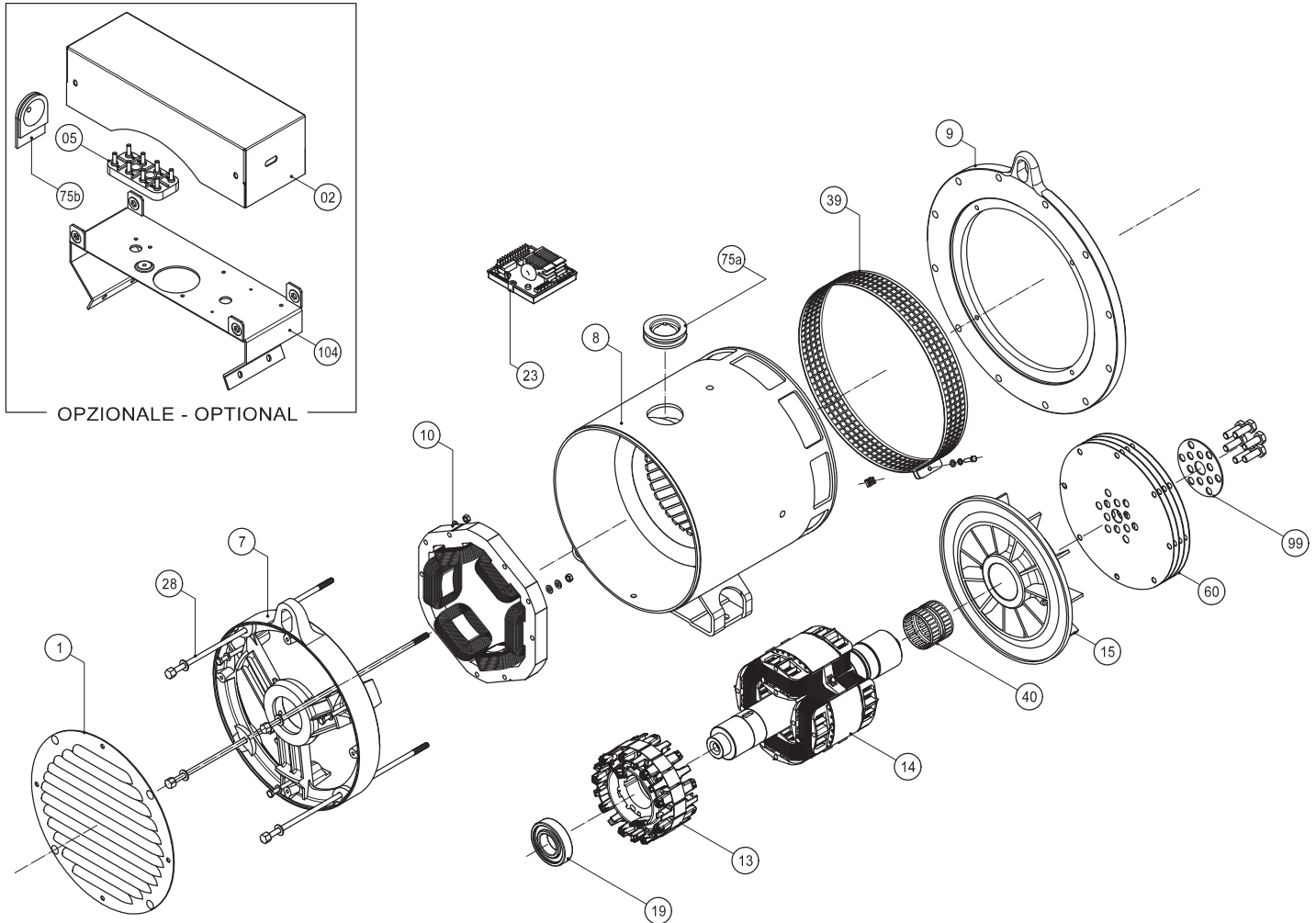
SAE N°	Giunti a dischi Disc coupling Disque de monopalier Scheibenkupplung					
	L	d	Q1	N° fori	S1	$\alpha$ 1
6 1/2	30,2	215,9	200	6	9	60°
7 1/2	30,2	241,3	222,25	8	9	45°
8	62	263,52	244,47	6	11	60°
10	53,8	314,32	295,27	8	11	45°
11 1/2	39,6	352,42	333,37	8	11	45°

TIPO/TYPE	A	I
PE 28 1S 60/2	357	228
PE 28 2S 75/2	357	228
PE 28 1L 90/2	377	248

TIPO/TYPE	A	I
PE 28 1S 60/4	357	228
PE 28 2S 70/4	357	228
PE 28 1L 85/4	377	248

SAE N°	Flangia / Flange Bride / Flansch					
	O	P	Q	N° fori	S	$\alpha$
5	356	314,3	333,4	8	11	45°
4	403	362	381	12	11	30°
3	451	409,6	428,6	12	11	30°

**ALTERNATORE SERIE PE - ELENCO PARTI DI RICAMBIO / ALTERNATOR SERIES PE - LIST OF SPARE PARTS**  
**ALTERNATEUR SERIE PE - LISTE DES PIECES DETACHEES / GENERATOR SERIE PE - ERSATZTEILLISTE**  
**ALTERNADOR SERIE PE - LISTA PARTES DE REPUESTO**



N	DENOMINAZIONE	NAME	DESIGNATION	NAMEN	DENOMINACION	CODICE CODE
1	CHIUSURA POSTERIORE	REAR SEAL	TOLE DE FERMETURE ARRIERE	HINTERER DECKEL	CIERRE POSTERIOR	9903905084
2	CUFFIA	TERMINAL BOX LID	COUVERCLE	KLEMMENKASTENDECKER	TAPA	9903905228
5	MORSETTERIA DI UTILIZZ. M6	USERS TERMINAL BOARD M6	BLANCHETTE A BORNES M6	KLEMMENBRETT M6	PLACA BORNES TERMINAL M6	9909915091
7	COPERCHIO POSTERIORE	NON DRIVE END BRACKET	FLASQUE ARRIERE	HINTERER GEHAUSE	TAPA POSTERIOR	6102204200
8	CARCASSA CON STATORE	FRAME AND STATOR	CARCASSE AVEC STATOR	GEHAUSE MIT STATOR	CARCAZA CON ESTATOR	3501597***
9a	COPERCHIO ANTERIORE MD35 SAE 3	DRIVE END BRACKET SAE 3	FLASQUE AVANT SAE 3	VORDER GEHAUSE SAE 3	TAPA ANTERIOR SAE 3	6102208473
9b	COPERCHIO ANTERIORE MD35 SAE 4	DRIVE END BRACKET SAE 4	FLASQUE AVANT SAE 4	VORDER GEHAUSE SAE 4	TAPA ANTERIOR SAE 4	6102208474
9c	COPERCHIO ANTERIORE MD35 SAE 5	DRIVE END BRACKET SAE 5	FLASQUE AVANT SAE 5	VORDER GEHAUSE SAE 5	TAPA ANTERIOR SAE 5	6102208475
10	STATORE ECCITATRICE	EXCITER STATOR	STATOR EXCITATRICE	ERREGERSTATOR	ESTATOR EXCITATRIZ	4500475630
13	ROTORE ECCITATRICE	ROTATING INDUCTOR	EXCITER ARMATURE	ERREGERANKER	INDUCIDO EXCITATRIZ	4500568185
14	INDUTTORE ROTANTE	ROTOR ASSY	ROUE POLAIRE	ROTOR	INDUCIDO ROTANTE	20010****
15	VENTOLA	FAN	VENTILATEUR	LUFTRRAD	VENTILADOR	7502213052
19	CUSCINETTO POSTERIORE 6207-2RS	REAR BEARING 6207-2RS	ROULEMENT ARRIERE 6207-2RS	HINTERER LAGER 6207-2RS	COJNETE POSTERIOR 6207-2RS	9900905066
23	REGOLATORE ELETTRONICO SR7	SR7 ELECTRONIC REGULATOR	REGULATEUR ELECTRONIQUE SR7	SR7 ELEKTRONISCHER REGLER	REGULADOR ELECTRONICO SR7	4500500591
28a	TIRANTE COPERCHI S	COVER STAY BOLT S	TIGE DE FLASQUE S	STEBBOLZEN S	TIRANTE DE LA TAPA S	9911190288
28b	TIRANTE COPERCHI L	COVER STAY BOLT L	TIGE DE FLASQUE L	STEBBOLZEN L	TIRANTE DE LA TAPA L	9911190274
39	RETINA DI PROTEZIONE MONOSUPPORTO	PROTECTION SCREEN MD35	GRILLE DE PROTECTION MONOPALIER A DISQUES	SCHUTZGITTER FORM MD35	REJILLA DE PROTECCION FORMA MD35	8500626120
40	ANELLO COMPENSATORE SV60-522	FIXING RING SV60-522	RONDELLE DE BLOQUAGE SV60-522	COMPENSATOR RING SV60-522	ANILLO COMPENSADORES SV60-522	9911141200
60a	DISCHI SAE 11 1/2	DISC PLATES SAE 11 1/2	DISQUES SAE 11 1/2	KUPPLUNGSSCHEIBEN SAE 11 1/2	DISCOS SAE 11 1/2	6110611188
60b	DISCHI SAE 10	DISC PLATES SAE 10	DISQUES SAE 10	KUPPLUNGSSCHEIBEN SAE 10	DISCOS SAE 10	6110611186
60c	DISCHI SAE 8	DISC PLATES SAE 8	DISQUES SAE 8	KUPPLUNGSSCHEIBEN SAE 8	DISCOS SAE 8	6110611184
60d	DISCHI SAE 7 1/2	DISC PLATES SAE 7 1/2	DISQUES SAE 7 1/2	KUPPLUNGSSCHEIBEN SAE 7 1/2	DISCOS SAE 7 1/2	6110611182
60e	DISCHI SAE 6 1/2	DISC PLATES SAE 6 1/2	DISQUES SAE 6 1/2	KUPPLUNGSSCHEIBEN SAE 6 1/2	DISCOS SAE 6 1/2	6110611180
75a	GOMMINO PASSACAVO	CABLE GROMMET	PASS CABLE EN CAOUFCHOUL	GUMMI AUGE	GOMA PASACABLES	9909509045
75b	GOMMINO PASSACAVO	CABLE GROMMET	PASS CABLE EN CAOUFCHOUL	GUMMI AUGE	GOMA PASACABLES	9909509080
99	ANELLO BLOCCAGGIO DISCHI	DISC LOCKING RING	ANNEAU LOCAGE DES DISQUES	SPANNRING DISTANZSCHEIBEN	ANILLO DE BLOC. DISCOS SEPARADORES	6110611509
104	PANNELLO PORTA COMPONENTI	COMPONENT-CARRYING PANEL	PANNEAU SUPPORT COMPOSANT	KOMPONENTENBLECHTAFEL	PANEL PORTA COMPONENTES	7500620293
123	ANELLO DISTANZIALE	RING SPACER	ANNEAU ESPACEUR	ABSTANDRING	ANILLO SEPARADORES	7502212040